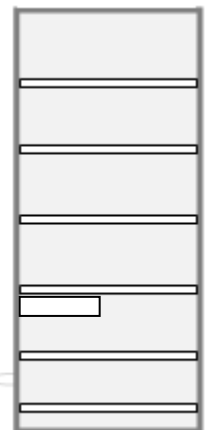
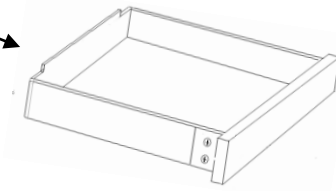
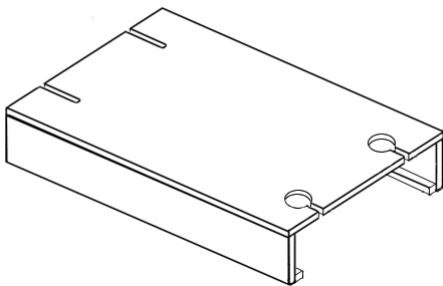
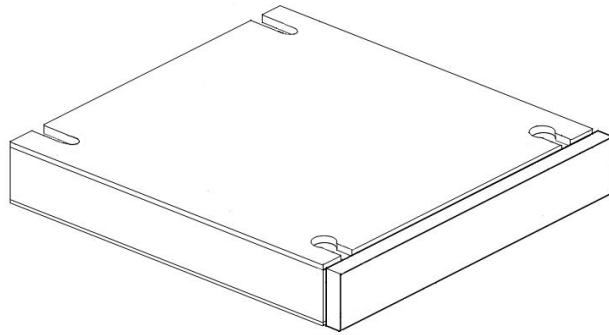
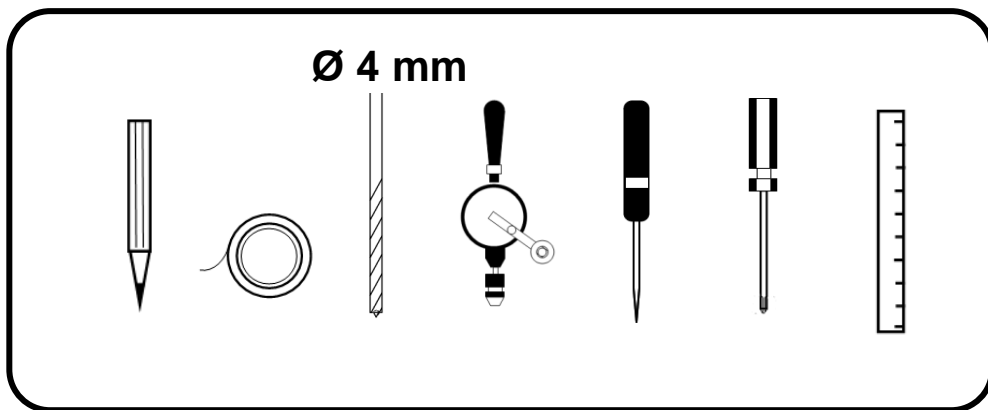
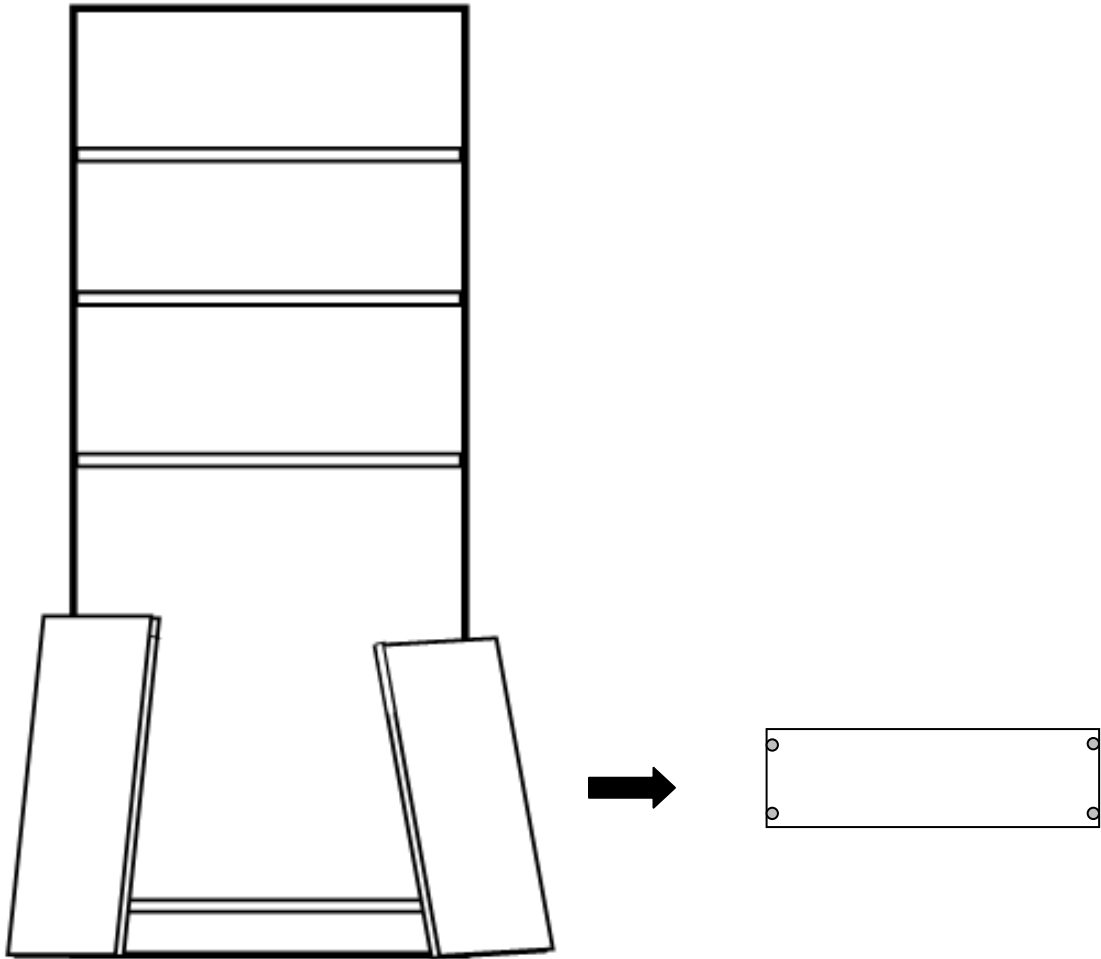


sd space drawer

1

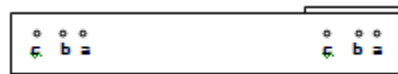


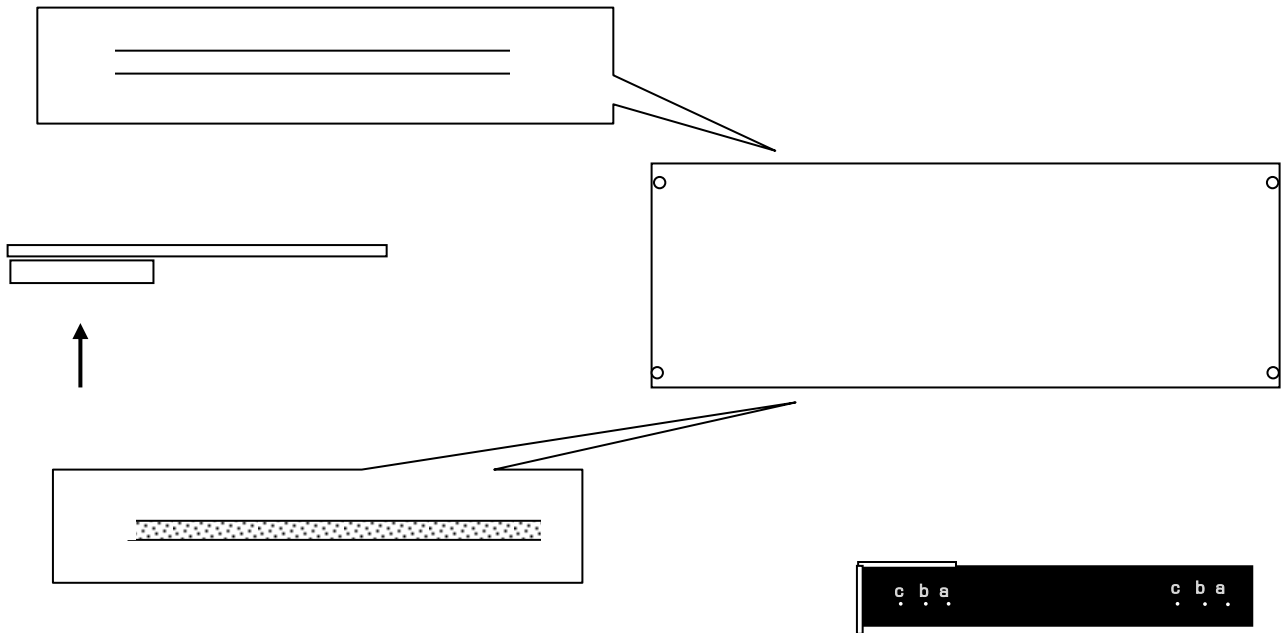
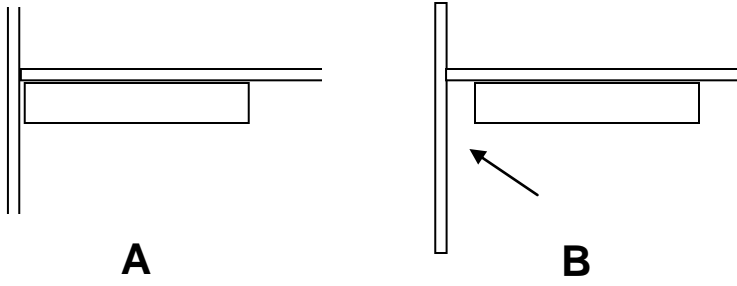


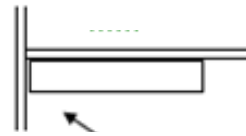
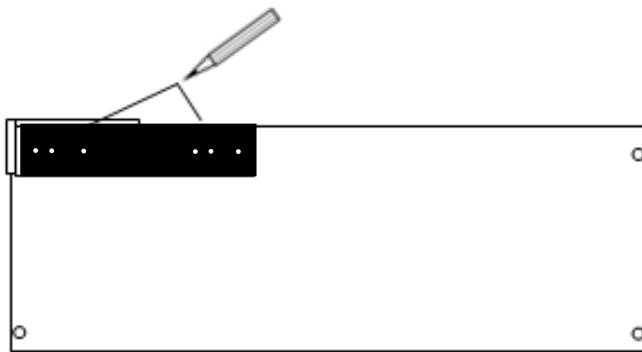
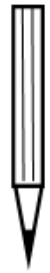
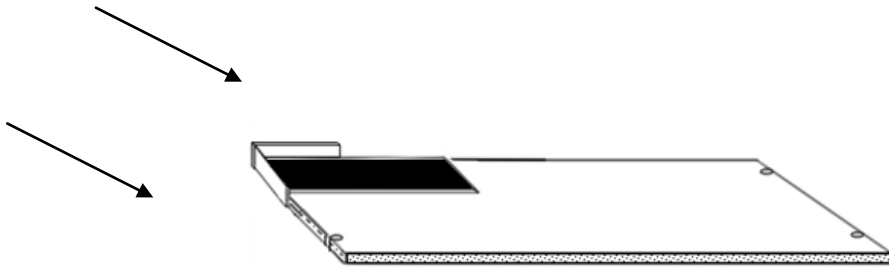
X 2



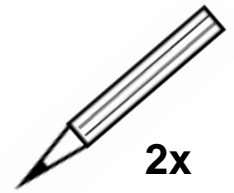
X 4



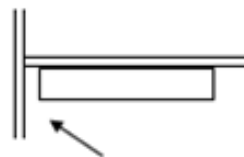
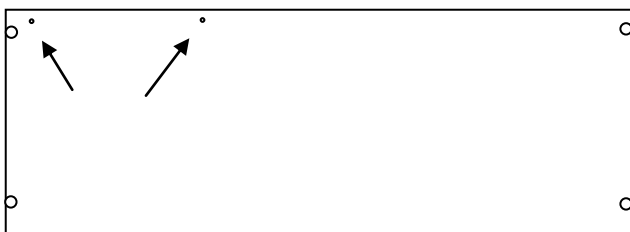




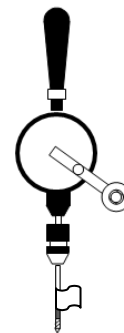
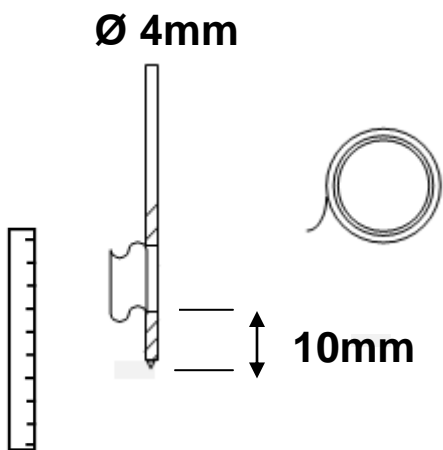
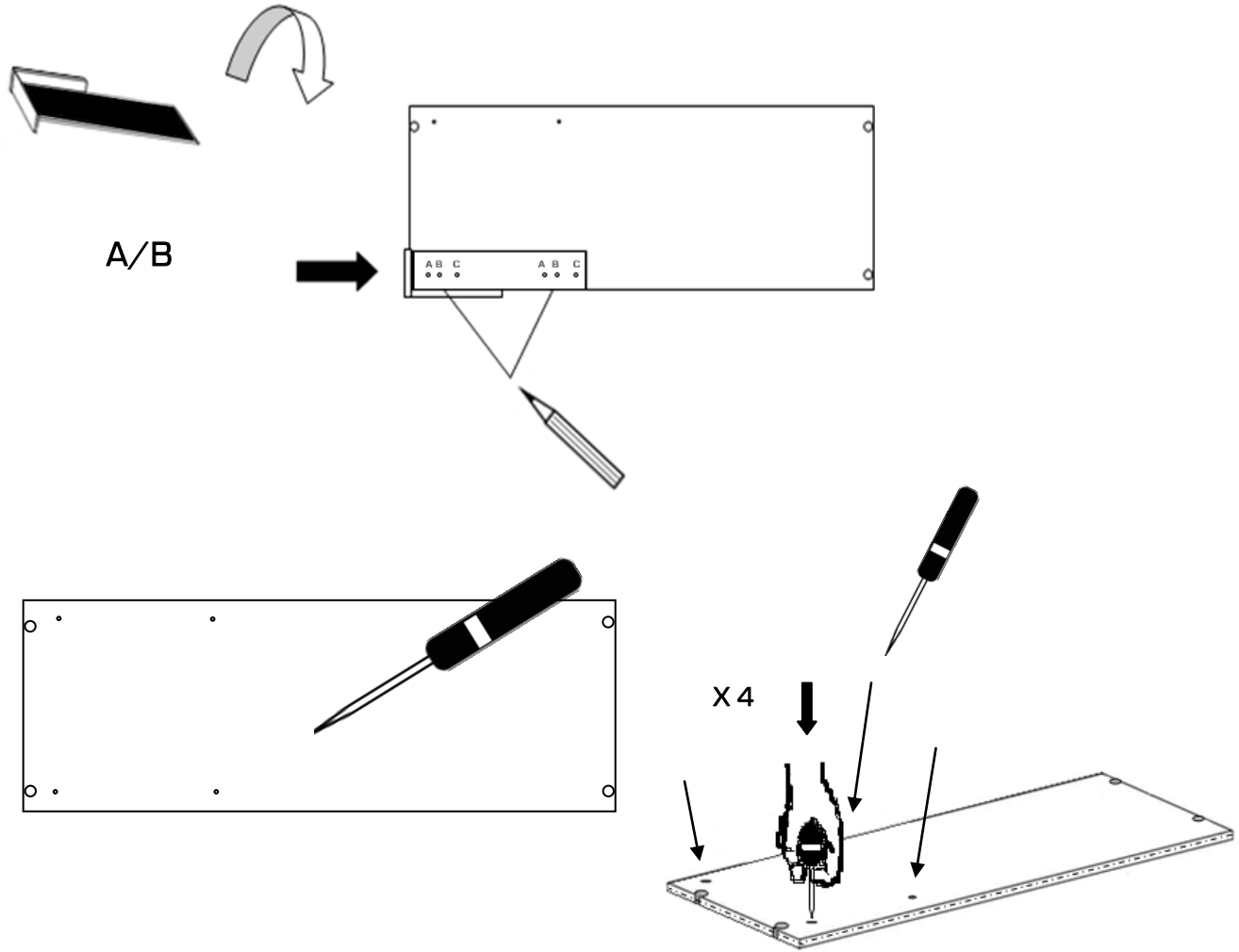
A

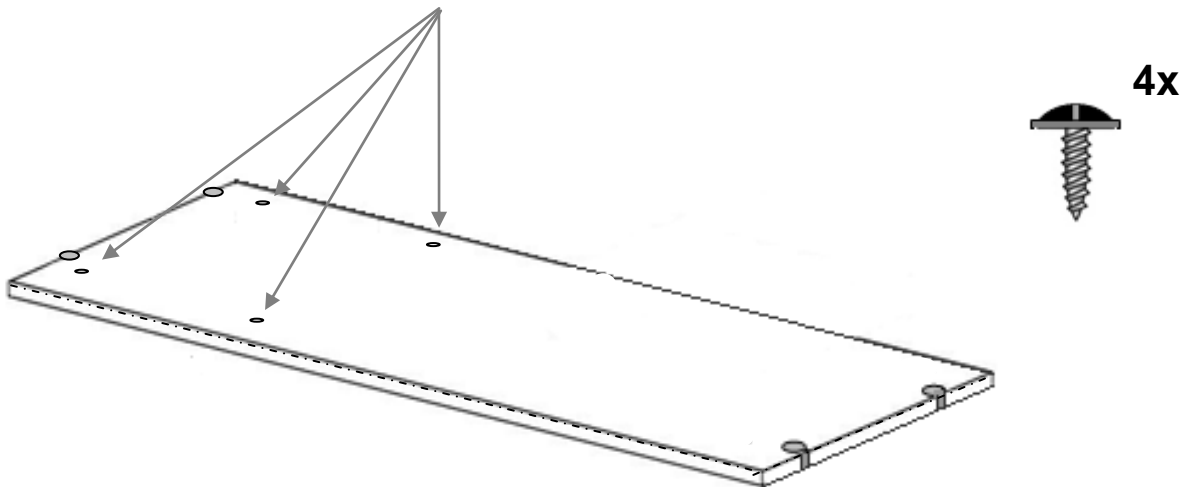
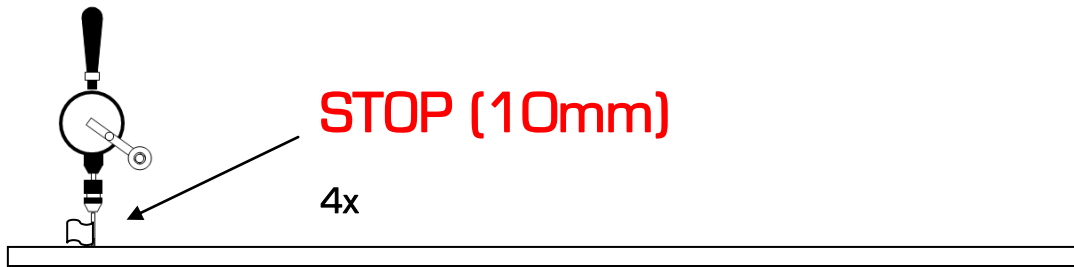
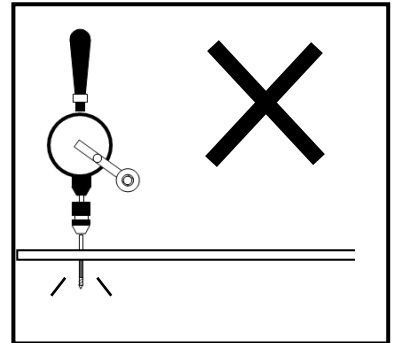


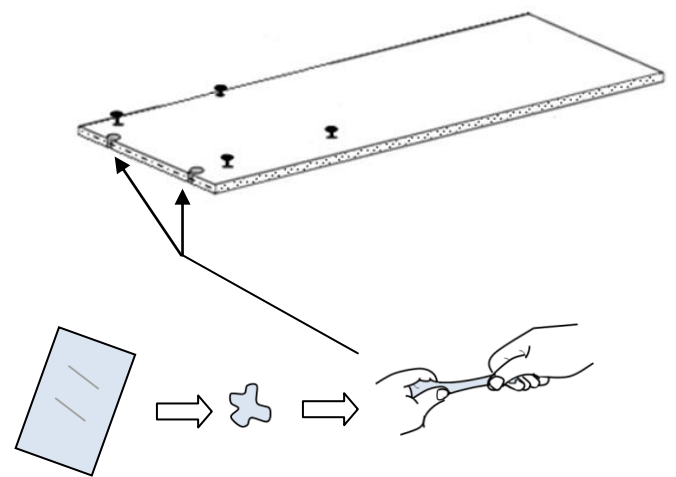
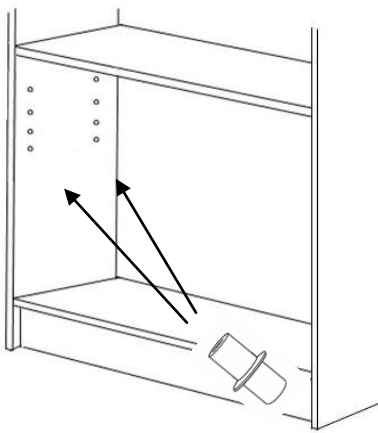
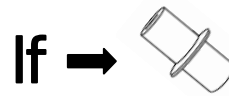
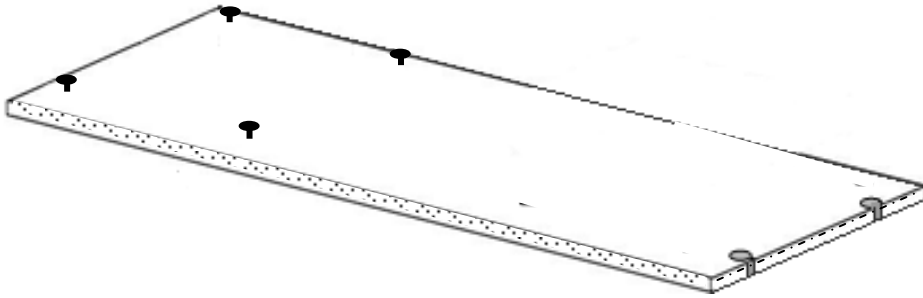
or

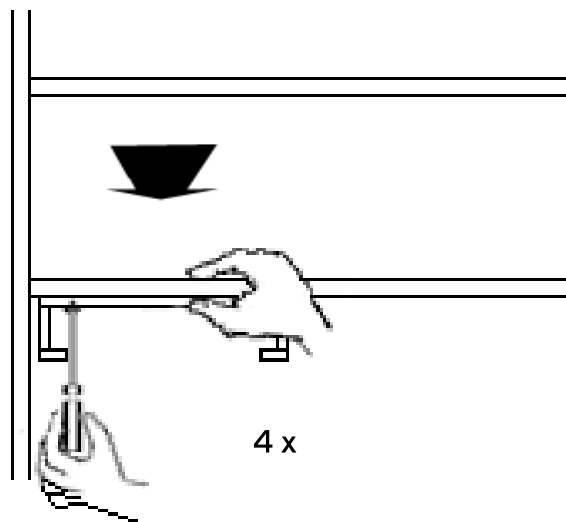
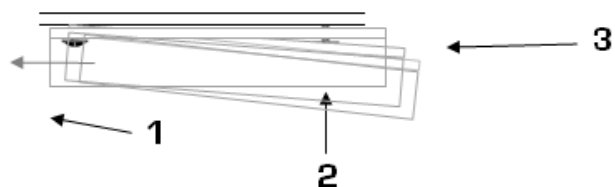
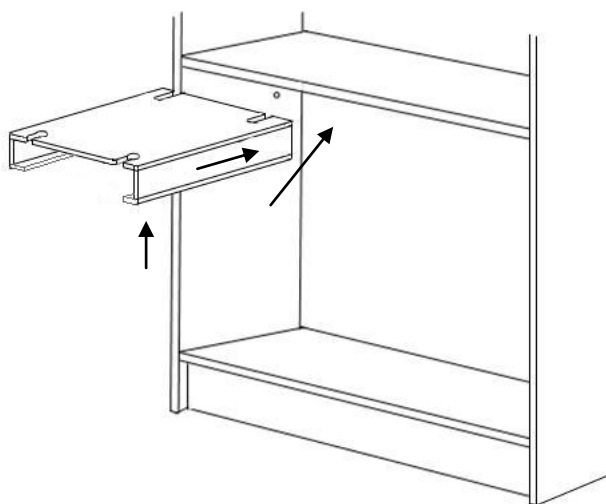
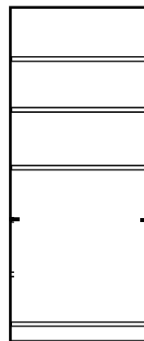
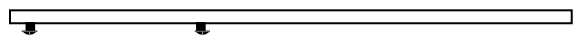


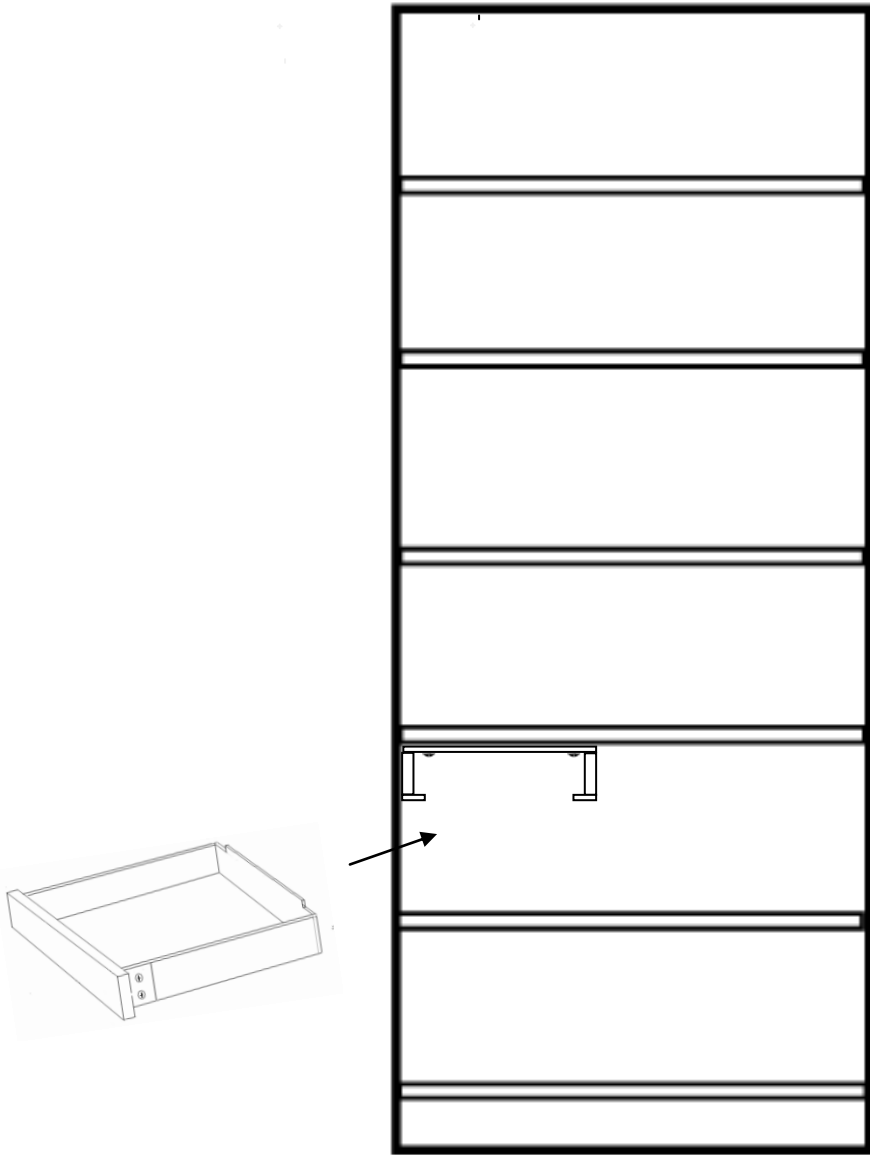
B

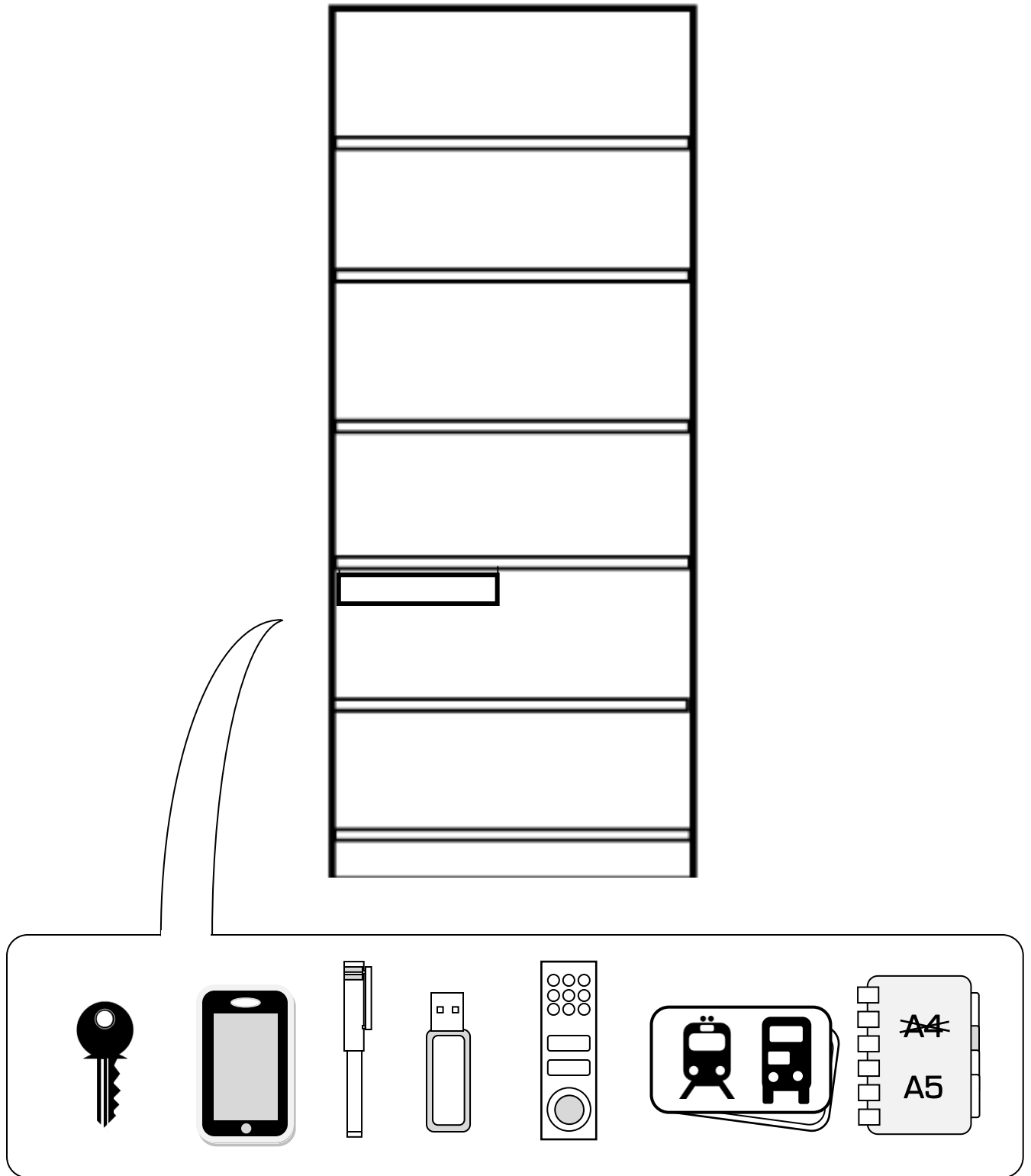












Advisory

- Keep any small parts, screws and tools away from children.
- Take care when using tools.
- Take your time fitting the SD.
- Try to be precise as possible when marking points.
- Do not over-tighten screws.

General statement

The sd – Space Drawer © is not an IKEA (the company) product but can be added to and used with IKEA products.

To avoid copyright infringement, no photographic or drawn IKEA images have been used in the marketing and promotion of the SD.

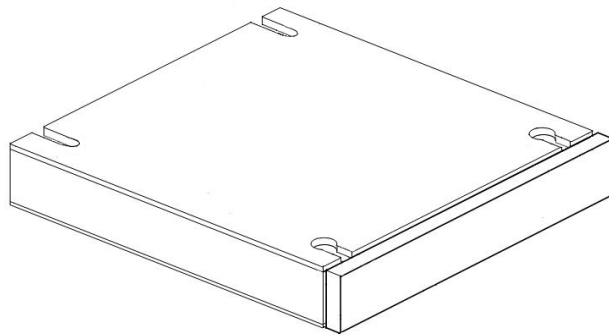
The SD is 'added' to manufacturers' products and is classed as a 'furniture add-on' and as an 'underneath shelf drawer'. The SD is an independently made idea/creation/product, first built in December 2012.

The sd – Space Drawer © is a UK registered design.

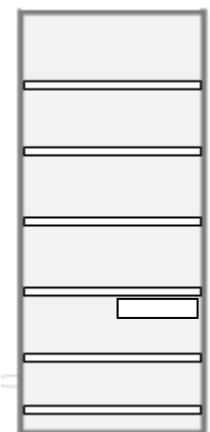
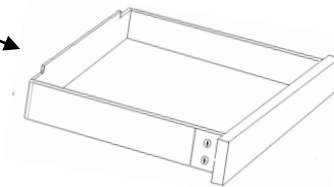
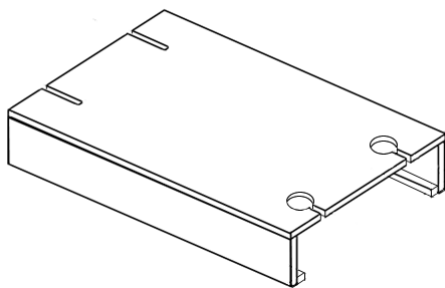
Thank you for your interest in the sd - Space Drawer ©.

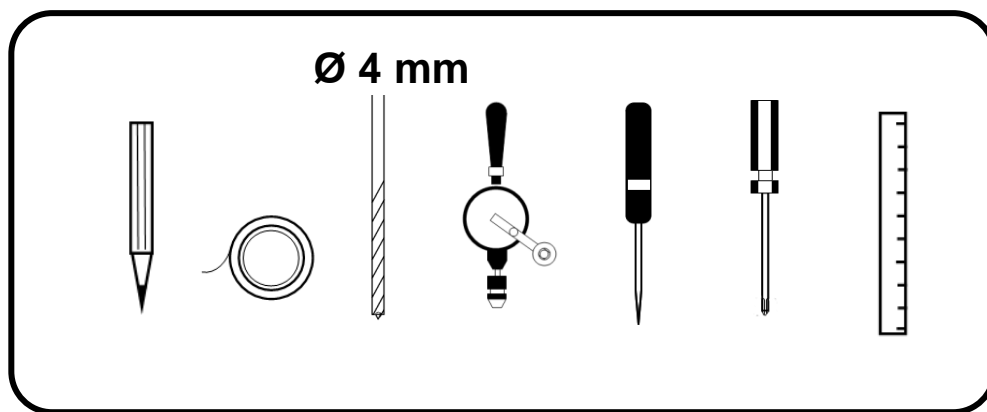
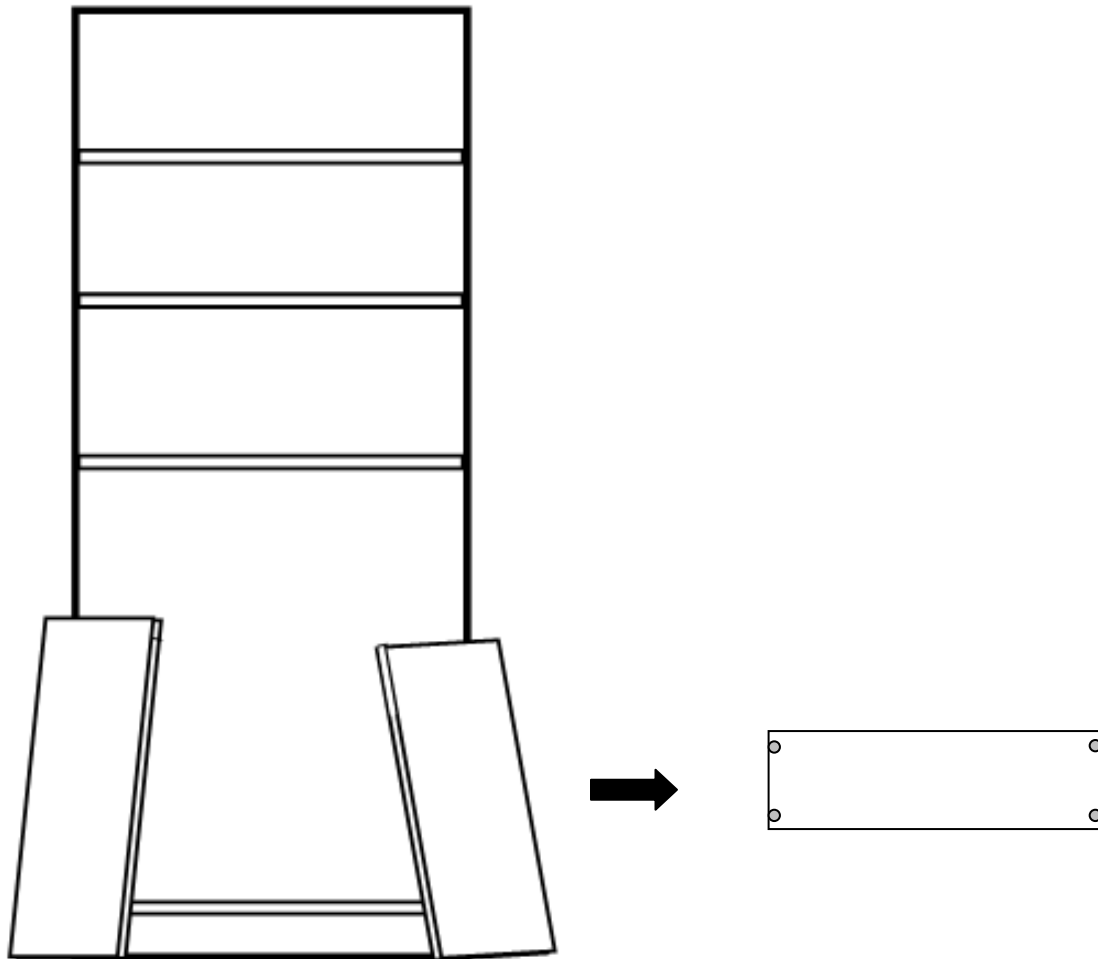
This page is left blank

sd space drawer



R

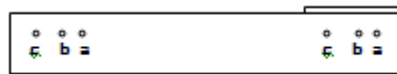


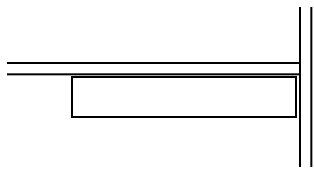


X 2

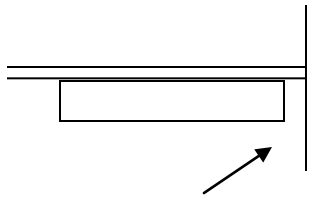


X 4

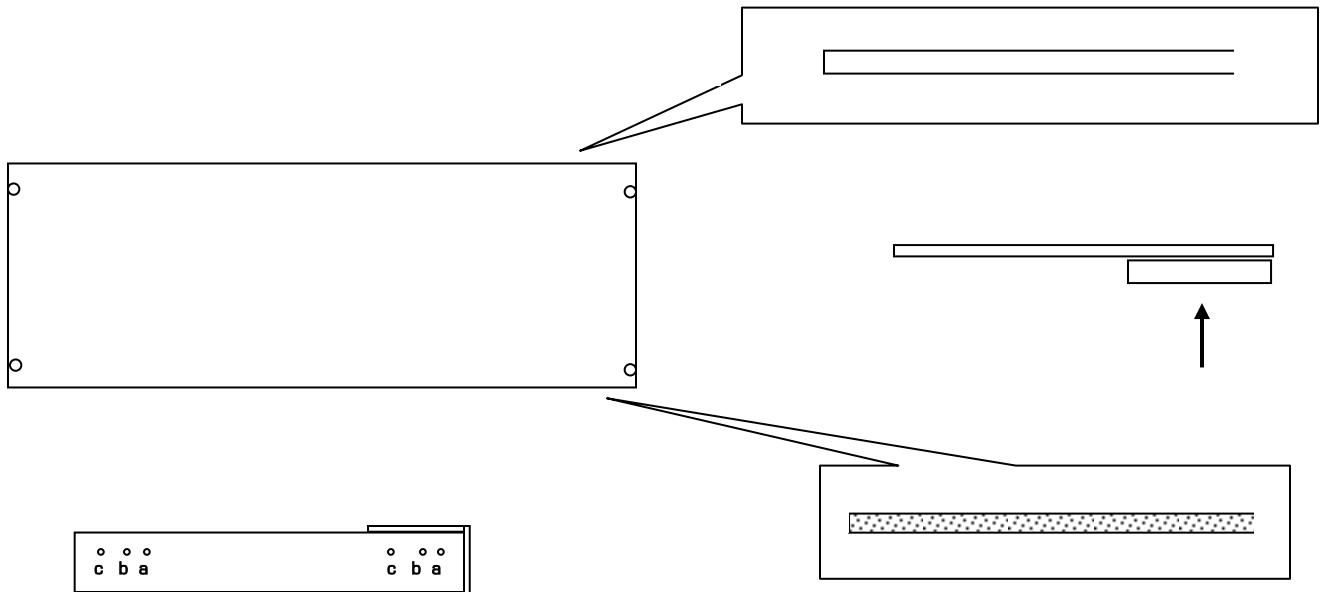


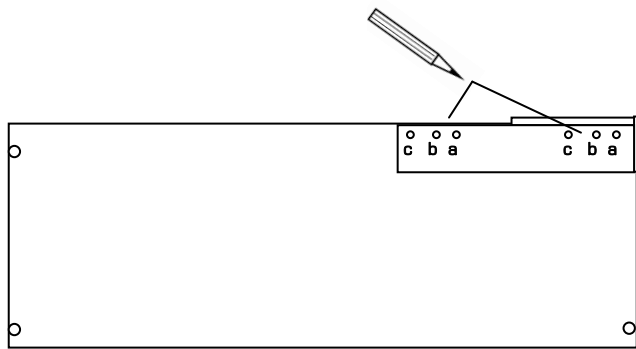
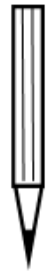
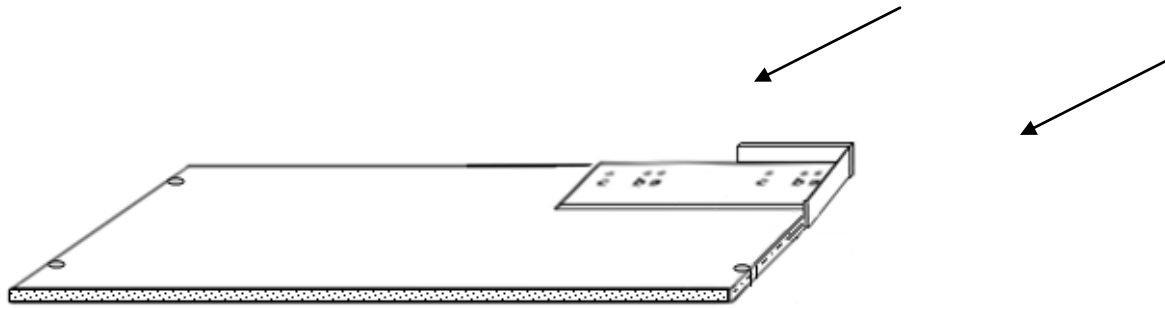
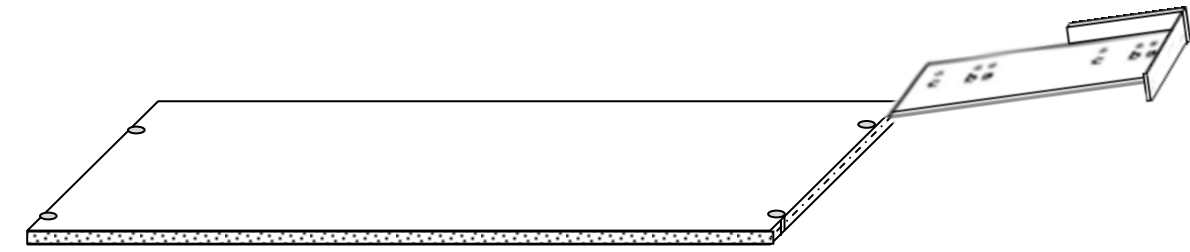


A

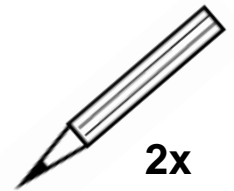


B

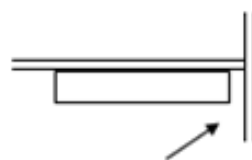




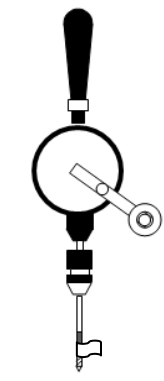
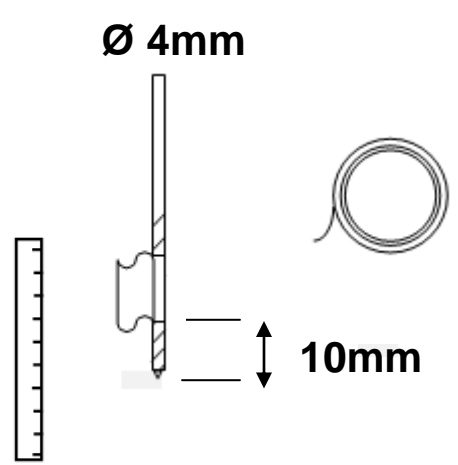
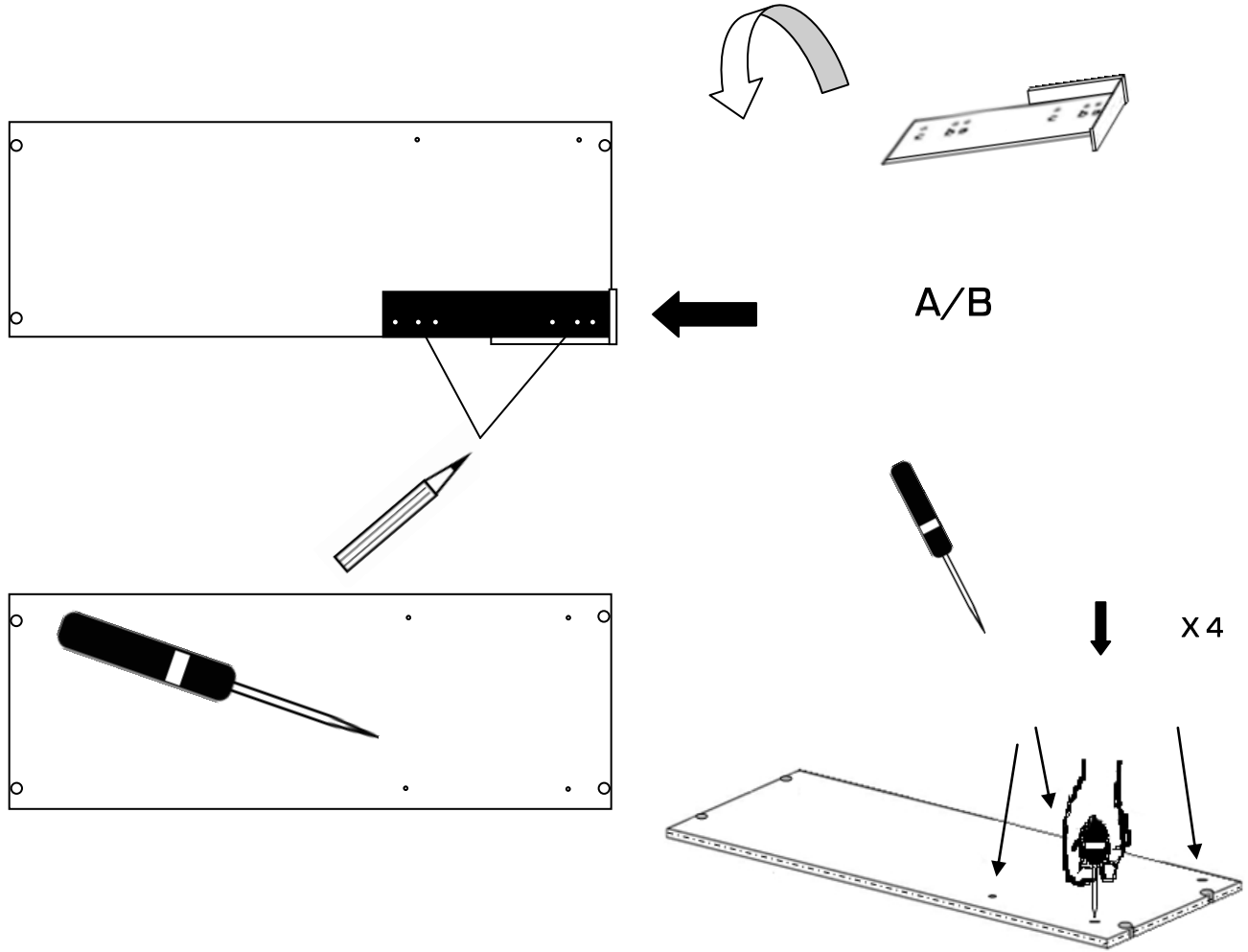
A

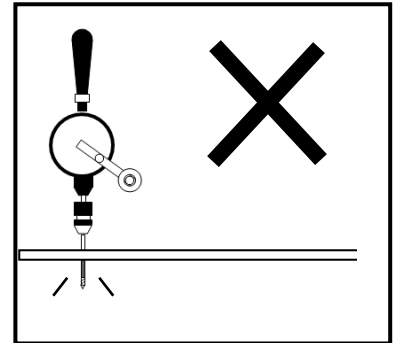
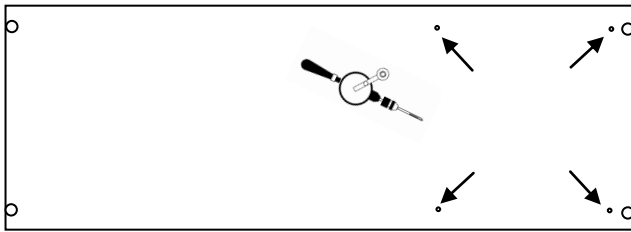


or



B



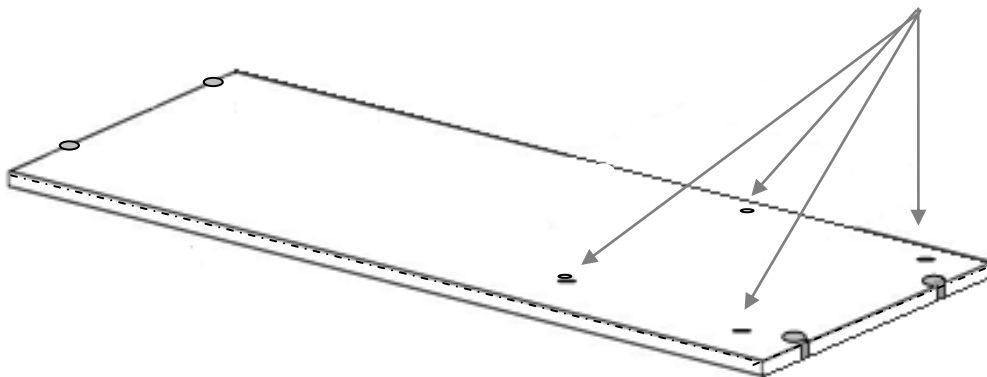


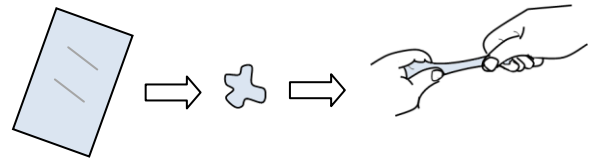
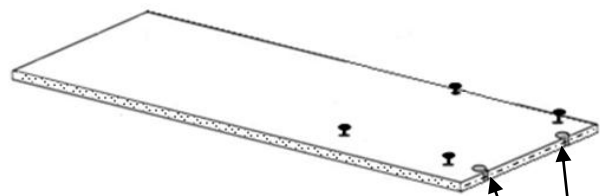
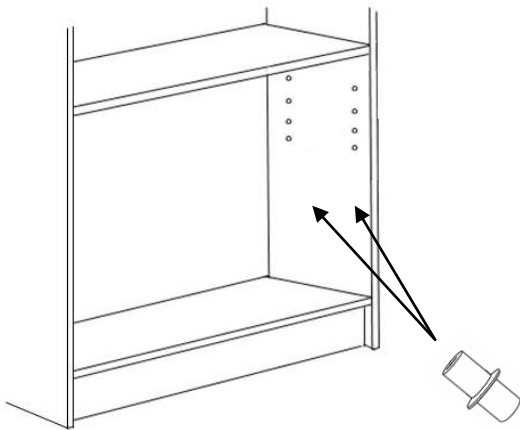
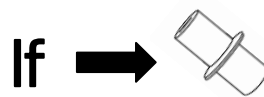
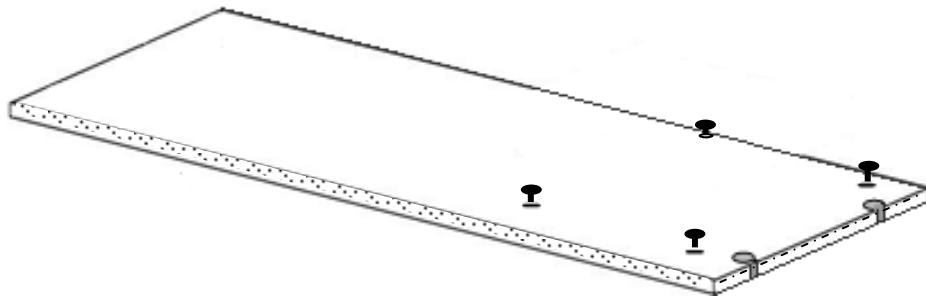
STOP (10mm)

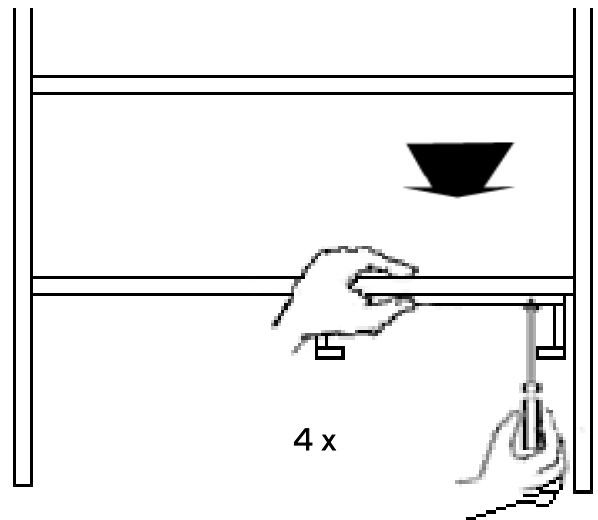
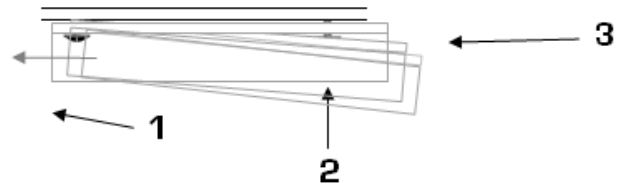
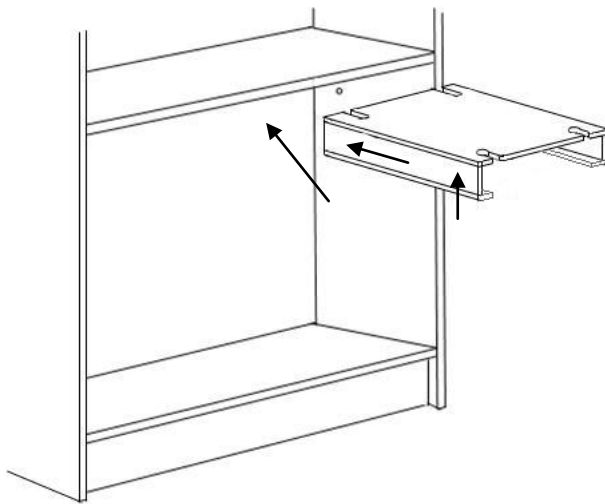
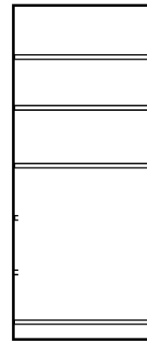
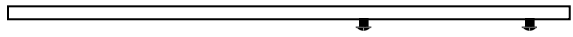
4x

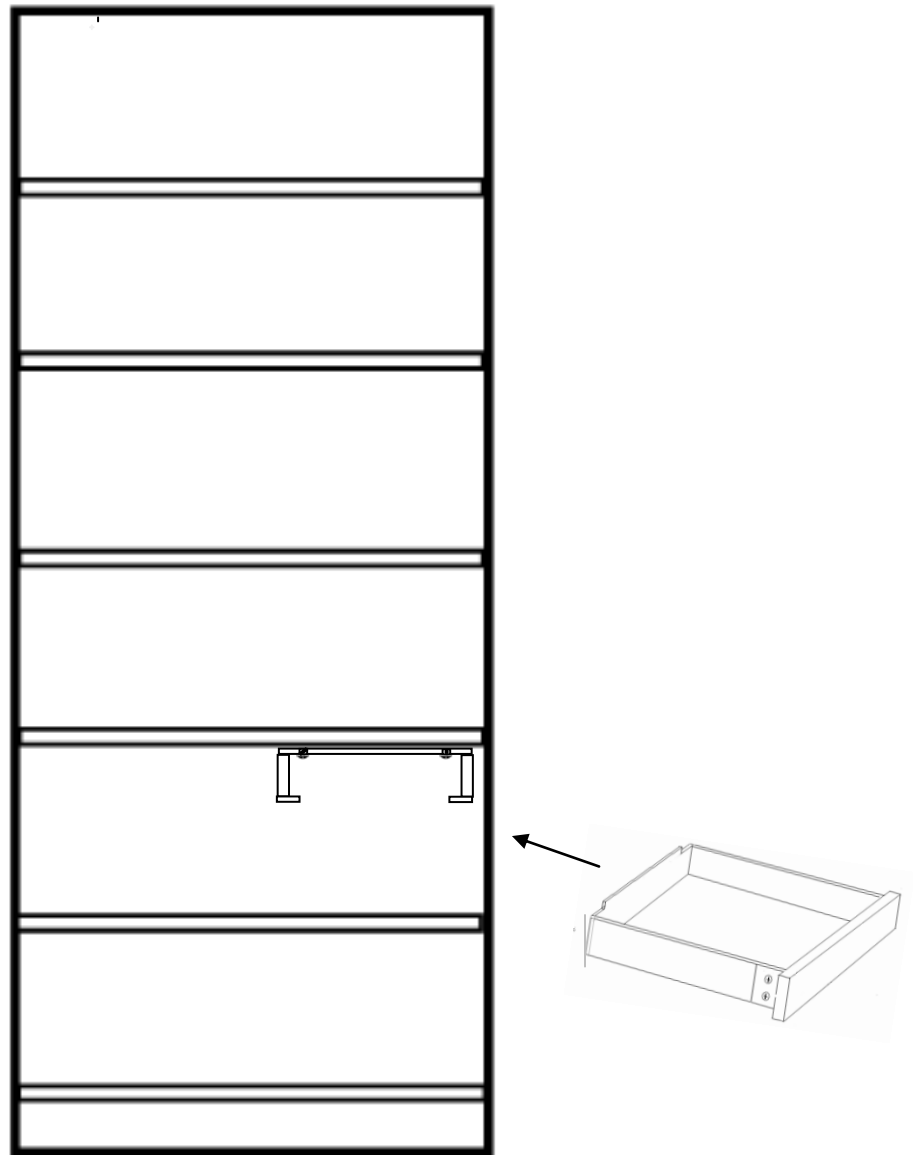


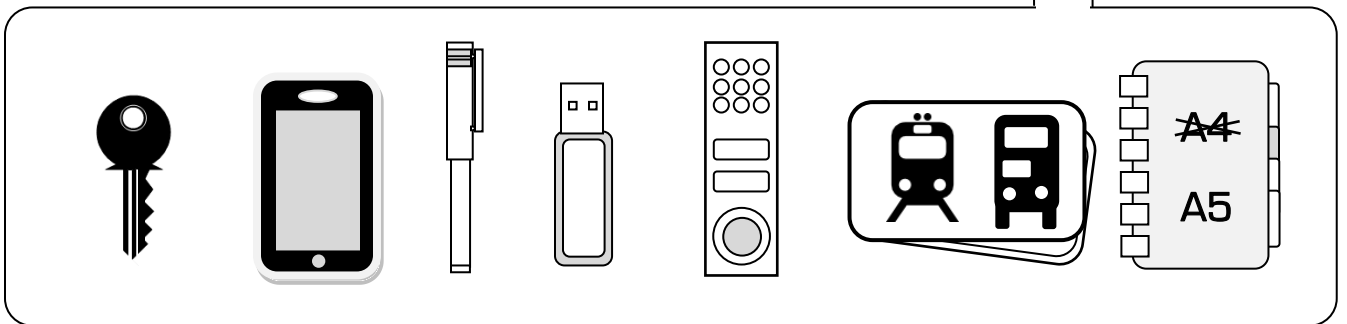
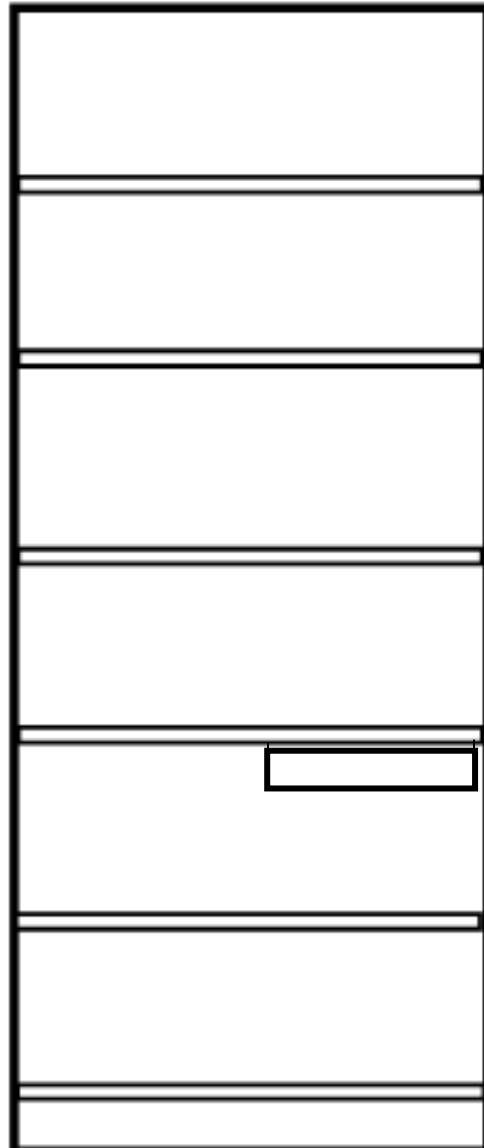
4x











Advisory

- Keep any small parts, screws and tools away from children.
- Take care when using tools.
- Take your time fitting the SD.
- Try to be precise as possible when marking points.
- Do not over-tighten screws.

General statement

The sd – Space Drawer © is not an IKEA (the company) product but can be added to and used with IKEA products.

To avoid copyright infringement, no photographic or drawn IKEA images have been used in the marketing and promotion of the SD.

The SD is 'added' to manufacturers' products and is classed as a 'furniture add-on' and as an 'underneath shelf drawer'. The SD is an independently made idea/creation/product, first built in December 2012.

The sd – Space Drawer © is a UK registered design.

Thank you for your interest in the sd - Space Drawer ©.

This page is left blank